



Making possible  
what seems impossible



[www.transplantingservices.com](http://www.transplantingservices.com)

# TTS BV introduces: **KMR-1 Single Rower**

Available from 3 till 8 rows, row spacings from 30 inch/75 cm, plant space from 6 inch/15 cm, output average 5000 plants p/h, suitable for planting bresicas, salads, sugarcane and tomatoes, flat or raised beds, automatic ground pressure controlled.



The most advanced transplanter on the market today. TTS has developed over the years both selective and non-selective automatic transplanters.

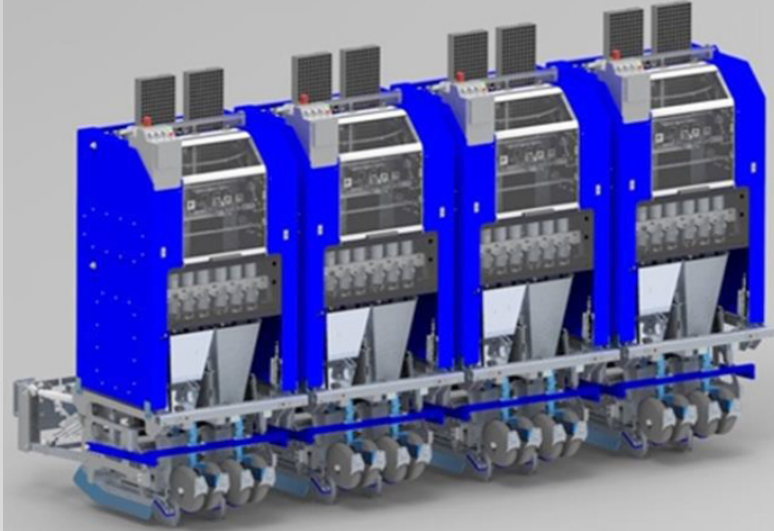
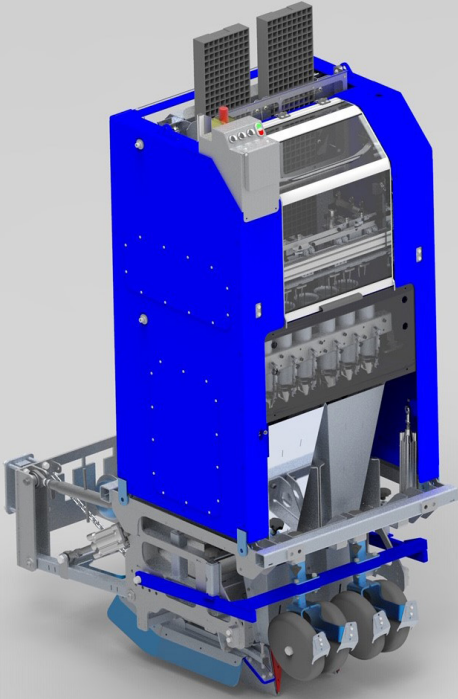
Many years of research and developments has been put into this program. Our machines are simple, compact, and reliable. Every automatic transplanter model from TTS removes the seedling from the tray with a specially designed gripping head.

Our machines have an automatic plant distance control to change the distances in the row, easy depth control. This brings our automatic transplanter to a very simple to use and highly productive machine.



**Easy access for maintenance**

# KMR-2 Double Rower

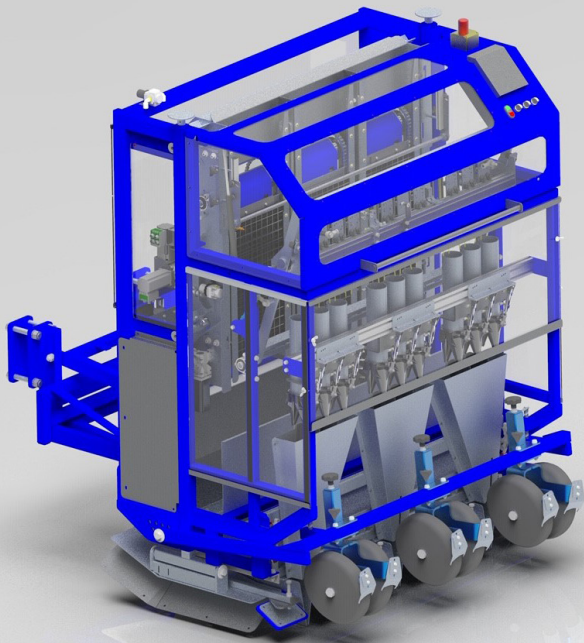


Available from 4 till 8 rows, row spacings from 20 inch/50 cm, plant space from 6 inch/15 cm, average output 6000 plants per row p/h, suitable for planting bresicas, salads, celery and tomatoes on flat or raised beds, automatic ground pression controlled.

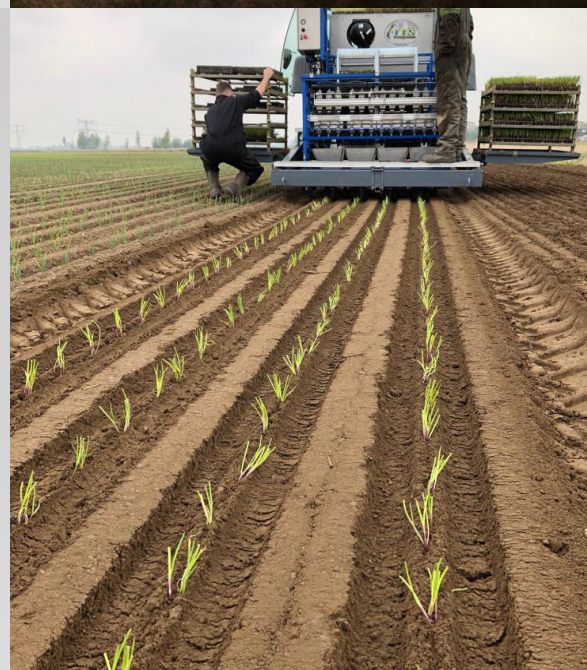
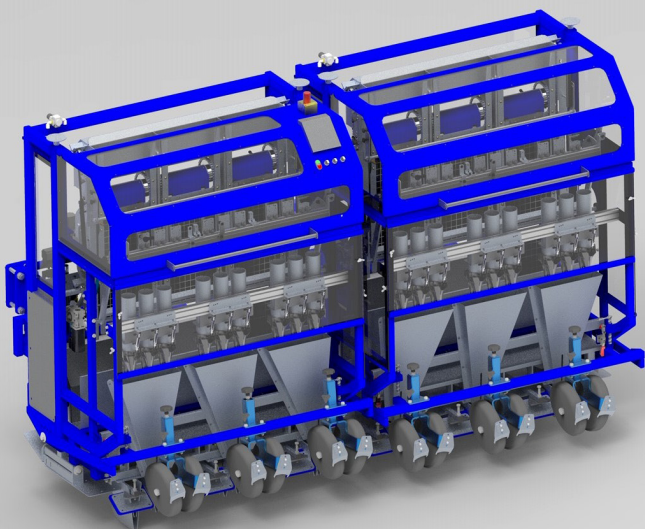


# Multi Rower

Multiple rows, available from 3 till 6 rows, plant and row spacings from 4 inches/10 cm on flat or raised beds on a bed of 40 inches/120 cm, average output 3000 plants per row p/h, designed for close row spacings, like salads, head lettuce, onions, forestry seedlings and flowers.

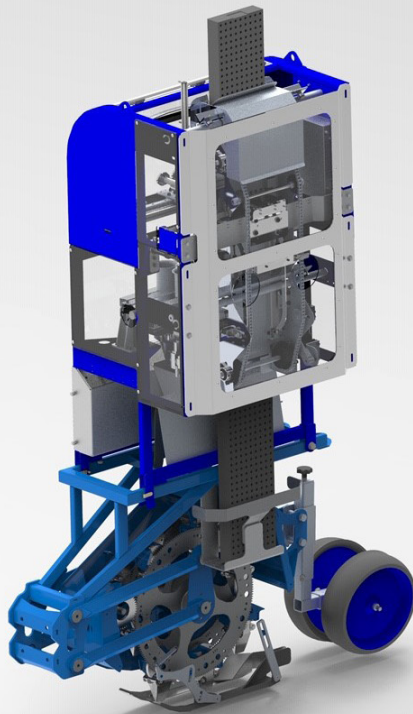


The Multi Rower Automatic Transplanter can be extended up till 18 rows!



# KMR-Mulch

**Automatic Mulch Transplanter, average output 3500 plants per row p/h, suitable for planting nearly all vegetables, including peppers, tomatoes and strawberries.**



**Strawberry field planting**

**proptek**

**Vegetable seedling trays, available at TTS BV.**

**Contact us for more information.**



# About TTS BV

- Simplicity and reliability is our goal.
- Less moving parts, low maintenance.
- Standalone units easy interchangeable
- Ensures great comfort for the worker and an indicative production capacity from 3000 to 6000 plants / hour / row (depending on the amount of gripping heads that can be placed in your seedling tray).
- High tolerance for different grounds.

TTS is the leading provider of innovative, high quality, reliable automation that meets the needs of the horticultural and forestry industries.

Our customers achieve success by reducing the multiple handling of trays, increasing productivity and saving time.

Our machines and integrated systems are rugged and reliable achieving consistently high productivity. The automatic transplanters of TTS have been operating for a long time and ensures great comfort for the worker.



All Plant-robots are imported to the US and commissioned by King City Nursery, partner of:

TTS BV - Tolenaars Transplanting Services B.V (office)  
Crocuserf 3  
3295 SC 's-Gravendeel  
0031 624322585  
rob@transplantingservices.com  
www.transplantingservices.com

Assemblage Fabrication  
TTS BV / Goos  
Watermanseweg 1A  
4891 SZ Rijsbergen  
The Netherlands



**TTS BV  
DEALER:**

